

# DSG-SoLID R&D Meeting Minutes

**Date:** August 19, 2021

**Time:** 11:00 – 12:00

*Attendees:* Mary Ann Antonioli, Aaron Brown, Peter Bonneau, Pablo Campero, Brian Eng, George Jacobs, Mindy Leffel, Tyler Lemon, Marc McMullen, and Amrit Yegneswaran

## 1. [Reviewed DSG-SoLID Magnet Control System meeting minutes from August 18, 2021](#)

DSG

1. Link for details: [2021-08-18 DSG-SoLID Magnet System Meeting Minutes](#)
2. Completed modifications of *PLC IO modules Wiring Diagram*
3. Continued modifications of drawings *Load Cell Measurements, PLC IO modules Wiring Diagram, and Load Cell Cable Diagram*
4. Got quotes for axial and radial supports sensors' connections

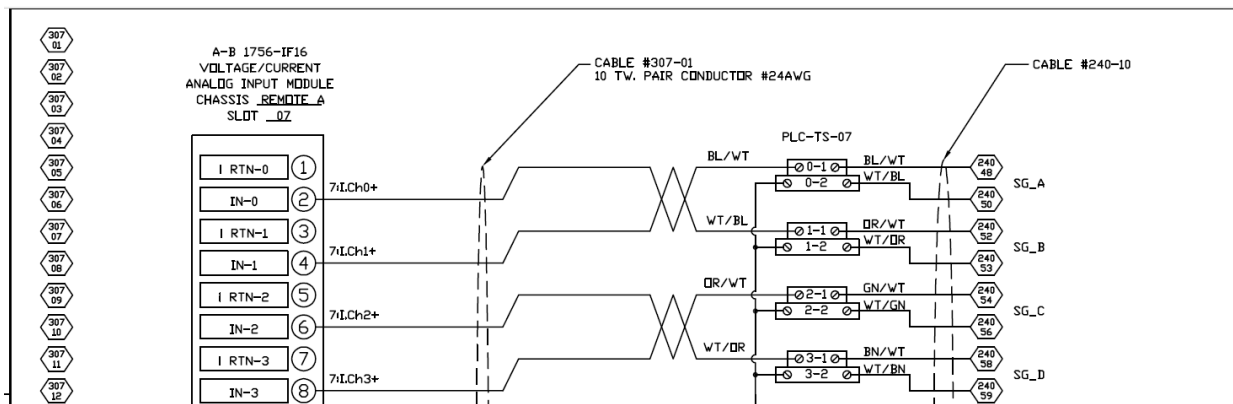


Fig.1. Drawing A00000-16-03-0307: *PLC IO modules Wiring Diagram*

## 2. [Reviewed DSG-SoLID Magnet Controls project schedule](#)

## 3. [Updating DSG Hall A SoLID Magnet technical specifications website with completed drawings](#)